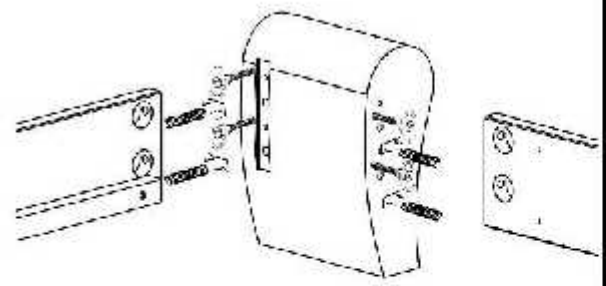
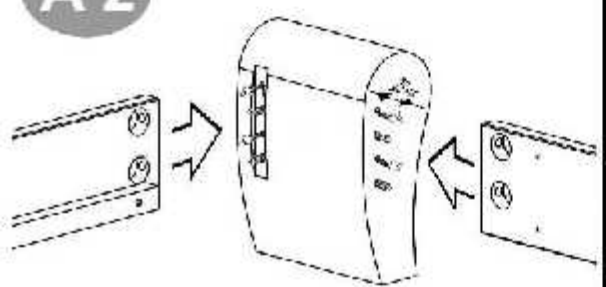


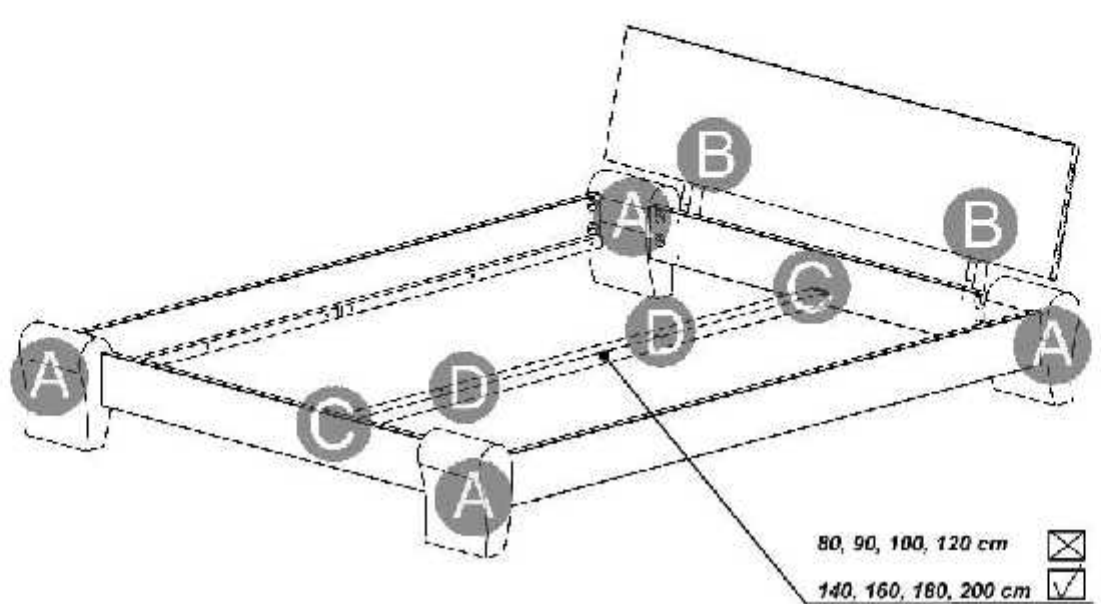
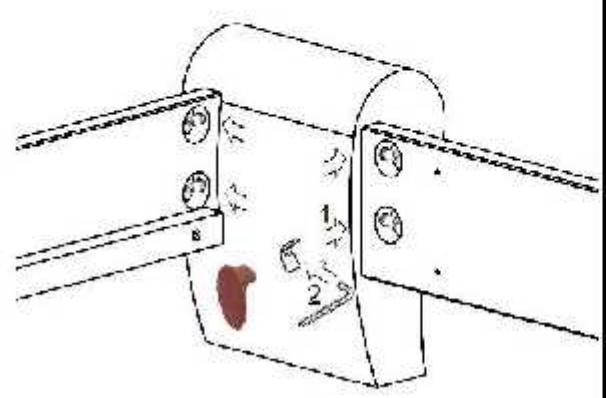
A 1



A 2



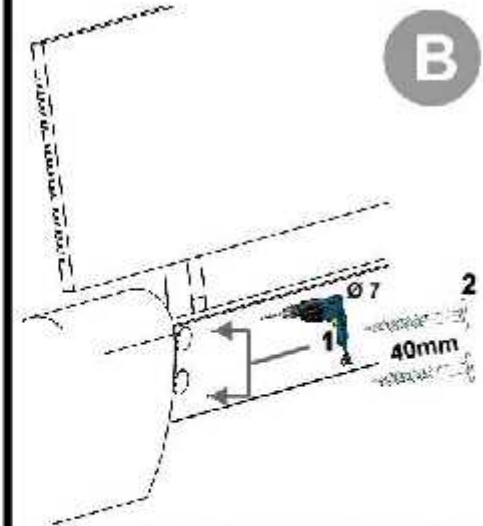
A 3



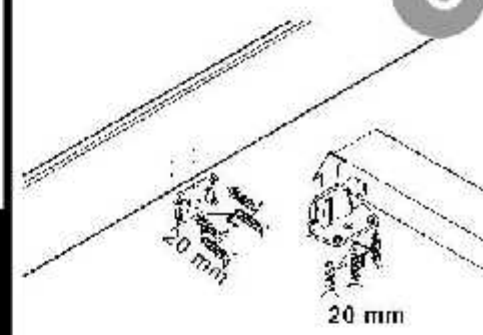
80, 90, 100, 120 cm

140, 160, 180, 200 cm

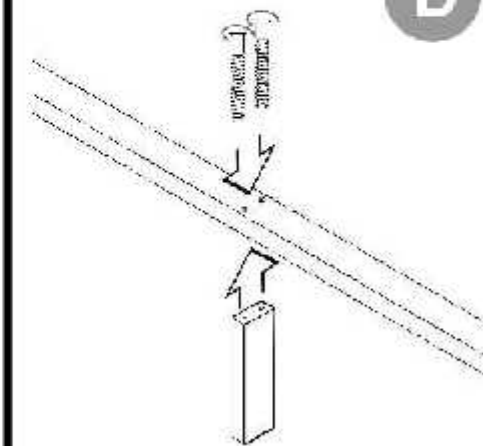
B



C



D



BONA

- x 16
- x 16
- $\varnothing 6,5 \times 40$ x 4
- $\varnothing 10 \times 40 \text{ mm}$ x 16
- $\varnothing 4 \times 20 \text{ mm}$ x 14
- x 2
- x 2
- $\varnothing 7 \times 50 \text{ mm}$ x 20
- s = 4 x 1